

5 LB Bi-Directional Closed Loop Extractor User Manual



Table of Contents

Introduction to Closed Loop Extracting

General Safety Information

Extraction Preparation

Assembly Guide

Testing Your Extractor

Components and Valves

Operation

Influencing Thermals

Pre-run Procedures

Pre-run Testing

Introduction of Solvent

Bottom Fill

Top Fill

Introducing Solvent

Beginning Solvent Flow

Bottom Flood Input

Top Fill Input

Solvent Recovery

Passive Solvent Recovery

Active Solvent Recovery

Recirculating Recovered Solvent

Post Operation Procedure

Removing Extracts

Maintenance

Service and Support

Contact Information

Warranty Information

Introduction to Closed Loop Extraction

Closed Loop Extraction also known as Hydrocarbon Extraction is performed by passing an alkane solvent over material to remove terpenes and other hydrocarbon compounds. The solvent is then distilled and recovered for later use, leaving the extracted compounds within the extractor base. Our Hydrocarbon Extraction systems are for use with butane (R-600) or iso-butane (R-600a) only. Solvents will flow into the lowest pressure area of the system. Influencing thermals by chilling the solvent receiving vessel below the solvent's boiling point will allow the liquid solvent to condense in that vessel and reduce its pressure. This process in conjunction with our system allows the movement of solvent from one vessel to another without the loss or exposure of solvent.

General Safety Information

If operated in accordance with this manual, common practices and safety procedures, this extraction system should provide a secure and dependable extraction process. Only operate this extraction system in extremely well ventilated areas. If this unit will be operated indoors, it must be operated in areas approved by your local Fire Marshal and be in accordance with local and state laws/ordinances. Always pressure Test your system before use to check for any possible leaks or breaches. Be sure to clean your gaskets only with compatible solvent, carefully inspect for wear or damage before each use.

This System may be used with Flammable Solvents. Use EXTREME CAUTION when operating this unit. Always operate in extremely well ventilated areas. Keep Away from any source of ignition.

Vacuum pumps used with this system should be located outside of the extraction area with hosing piped through the walls. Never use the vacuum pump during the extraction process or when any flammable vapors are present in the system.

Extraction Preparation

The following are necessary supplies to operate the unit efficiently and safely.

- Various wrenches and sockets**
- Refrigerant scale**
- Nitrogen gas cylinder and regulator**
- Combustible gas leak detector**
- Explosion proof exhaust fan (recommended)**
- Butane**
- Dry ice**
- Alcohol or Glycol (optional)**
- Cleaning solvent (d-limonene recommended)**

Assembly

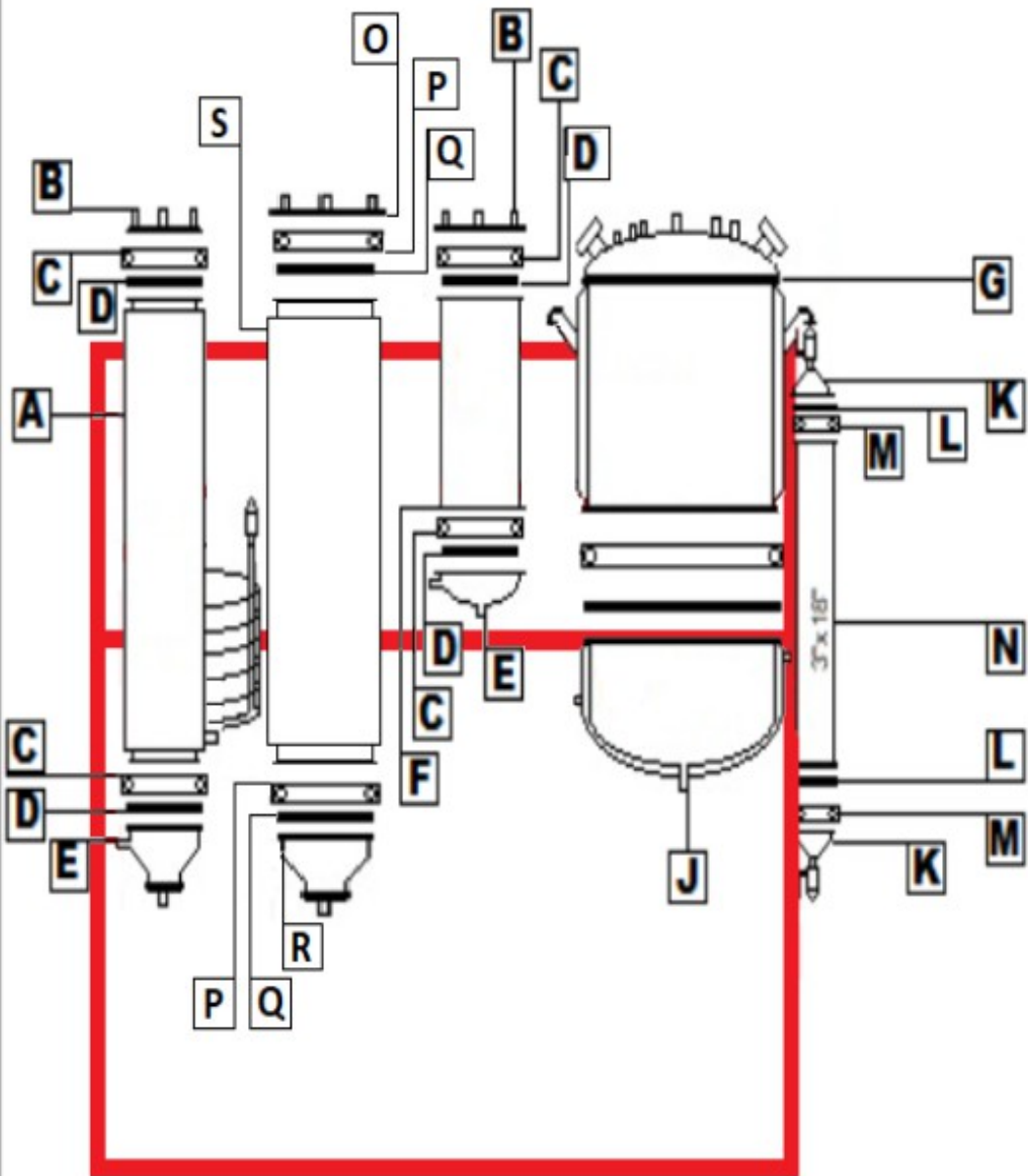
***When assembling ensure clamps are seated and tightened properly (BUNA-N gaskets 20 inch pounds)**

***Be sure to tighten clamps evenly on each side. This unit must be pressurized and tested to 90 PSI prior to each use. Failure to do so may result in solvent leaks exposing the solvent to your working atmosphere.**

-Please refer to the following diagram as a visual assembly guide.

BI-DIRECTIONAL ASSEMBLY GUIDE

Parts List	
A	Material Column
B	6" End Cap/ Lid
C	6" High Pressure Clamp
D	6" 150 Mesh Gasket
E	6" Bowl Reducer
F	6" CRC*
G	12" Collection Base
H	12" High Pressure Clamp
I	12" Gasket
J	12" x 4" collection platter
K	3" End Cap
L	3" 150 mesh Gasket
M	3" High Pressure Clamp
N	Molecular Sieve
O	8" End cap / Lid
P	8" High pressure clamp
Q	8" Gasket
R	8" Bowl reducer
S	8" x 24" Dewaxing Column



Pressure Testing Before Use

Once the Unit is loaded with material and assembled, Pressure test the unit inspecting all gasket/clamp and hose connections. Pressurize the entire unit to 90 PSI with nitrogen gas or other safe means of pressure using one of the valves on the extractor lid. Allow the unit to rest under pressure for at least 15 minutes. Check your pressure gauge to ensure that no pressure is lost. If the unit does not show a change in pressure, Connect your vacuum pump and bring the unit to full vacuum.

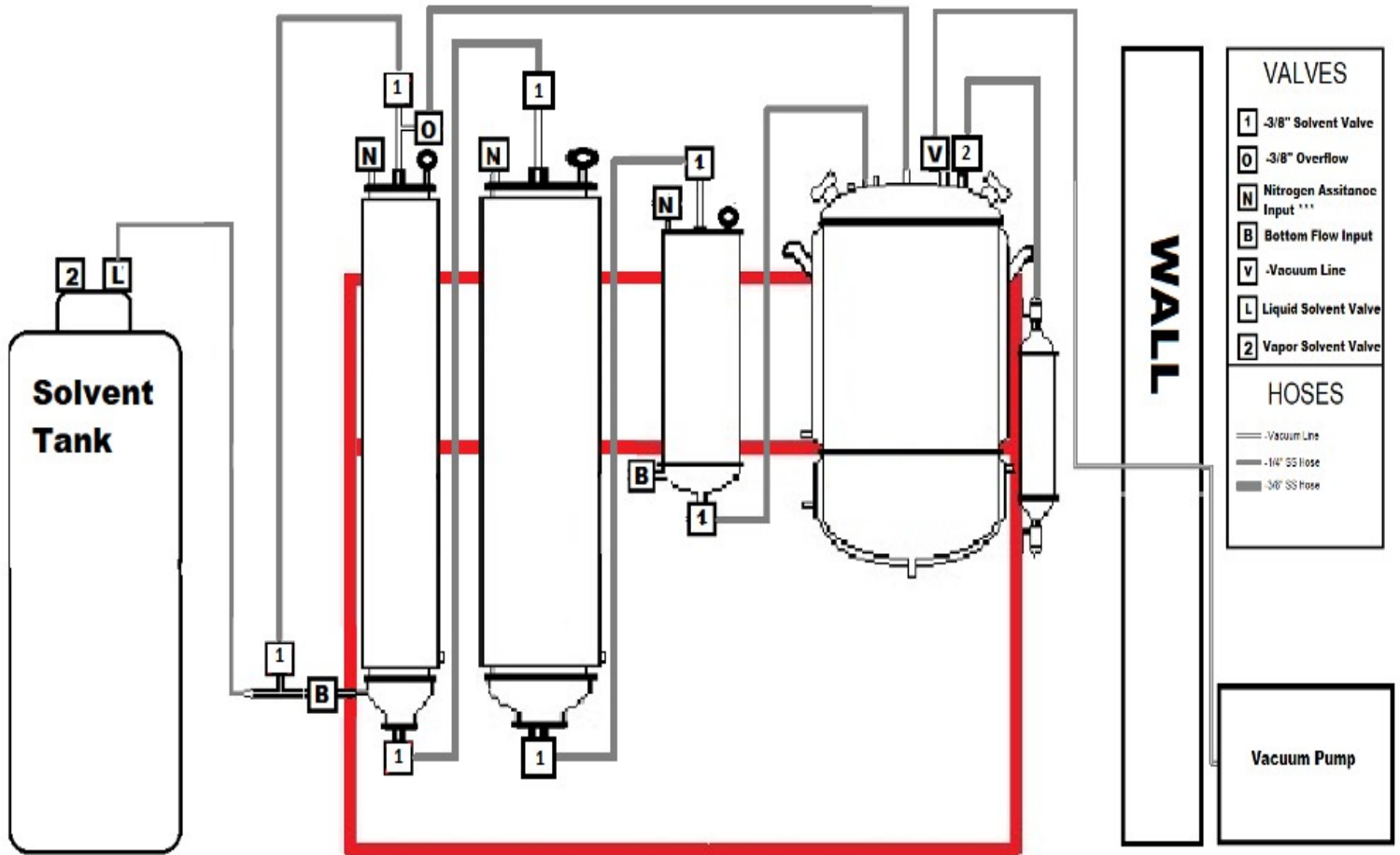
***When assembling ensure clamps are seated and tightened properly (BUNA-N gaskets 20 inch pounds)**

***Be sure to tighten clamps evenly on each side. This unit must be pressurized and tested to 90 PSI prior to each use. Failure to do so may result in solvent leaks, exposing the solvent to your working atmosphere.**

Valves and Components

Valve and Hose Layout

Please refer to the diagram below for valve and hose configuration.



Operation

Influencing Thermals

In order for solvent to flow throughout the system it must be influenced, you will need to make sure the supplying vessel is under higher pressure than the receiving vessel. One way of accomplishing this is to make sure the receiving vessel is colder than the supplying vessel. Solvent will always chase the cold temperatures and condense within the colder vessel. Temperature greatly affects pressure so maintaining proper temperatures is essential to the extraction process.

For optimal results the solvent should be chilled before the extraction process. Note that the solvent should not be chilled below the boiling point of the chosen solvent, Removing pressure from the supply. Chilled solvent will assist in the dewaxing process, however this system uses a dewaxing chamber and will chill the solvent within the system to proper dewaxing temperature without prior solvent chilling. When distilling your solvent in the collection base it is important to note the boiling point of the most fragile compounds in your extracts. Recovery temperature should not surpass the boiling temperature of your lowest boiling compound.

Pre-run Procedure

It is important to have your tools and equipment readily available at all times (sockets, wrenches, scales, buckets). When assembling the unit we recommend that you apply all high pressure clamps in the same positions to ensure continuity if adjustments are needed during operation.

Always be sure to place the system on a level surface in a well ventilated area. Butane and other solvents are known to pool in cool stagnant areas so it is crucial to ensure all areas of your workspace have adequate air flow. If operating indoors your workspace must comply with the criteria for Class I, Division 1 work. Please consult your local fire marshal to ensure your workspace is in compliance with local laws and ordinances.

- Before the first run, it is important to clean all parts of the extractor. Oils, metal shavings and other contaminants may be present from manufacturing. Failure to properly clean the units parts can result in contaminated extracts.

Pre-run Testing

Always test pressure test the extractor before every run. Load the material column with your choice of material, Assemble the rest of the extractor as pictured above. Be sure all filters and screens are in place and that filter plates have a coffee or lab filter (coffee screens are 20 micron).

This extractor is intended for use with dry material. Fresh or wet/damp material can be processed with proper preparation and additional purging. Subzero temperatures must be maintained during this type of extraction so the any moisture solidifies and will not enter the collection chamber.

The capacity of the material column can vary with the density of the packed material. It is recommended to firmly pack the material within the column to avoid solvent channeling ensuring all material has seen solvent. After the unit has been packed and prepared, attach nitrogen cylinder to manifold and perform pre-run pressure testing.

***Every time you assemble the unit, it is crucial that the system is pressure tested to 90PSI with nitrogen gas. This ensures there are no leaks in the system and that all gasket, clamps and hoses are properly fastened and sealed. Allow the system to remain under pressure for at least 15 minutes to ensure there is no change in pressure before releasing the pressure and bringing the system to full vacuum.**

- *Always ensure that the nuts and bolts on all high pressure clamps are not worn or compromised by wear and tear. Failure to properly maintain clamps can result in unexpected clamp failure.**

If no loss in pressure is observed you can begin to depressurize the system. Start by releasing the nitrogen pressure, then using your vacuum pump pull the system to full vacuum using multiple pressure gauges to ensure that full vacuum has been achieved. When finished the vacuum pump can be stored until its next use.

Introducing Solvent to the System

Before you add solvent to the system it is vital the the solvent is pre weighed in your LP Tank to ensure the system is not overfilled. This also allows solvent to be weighed post run to ensure that all solvent has been recovered.

Solvent capacity of the 5LB Bi-Directional Extractor. Solvent capacity is directly related to the size of the collection base.

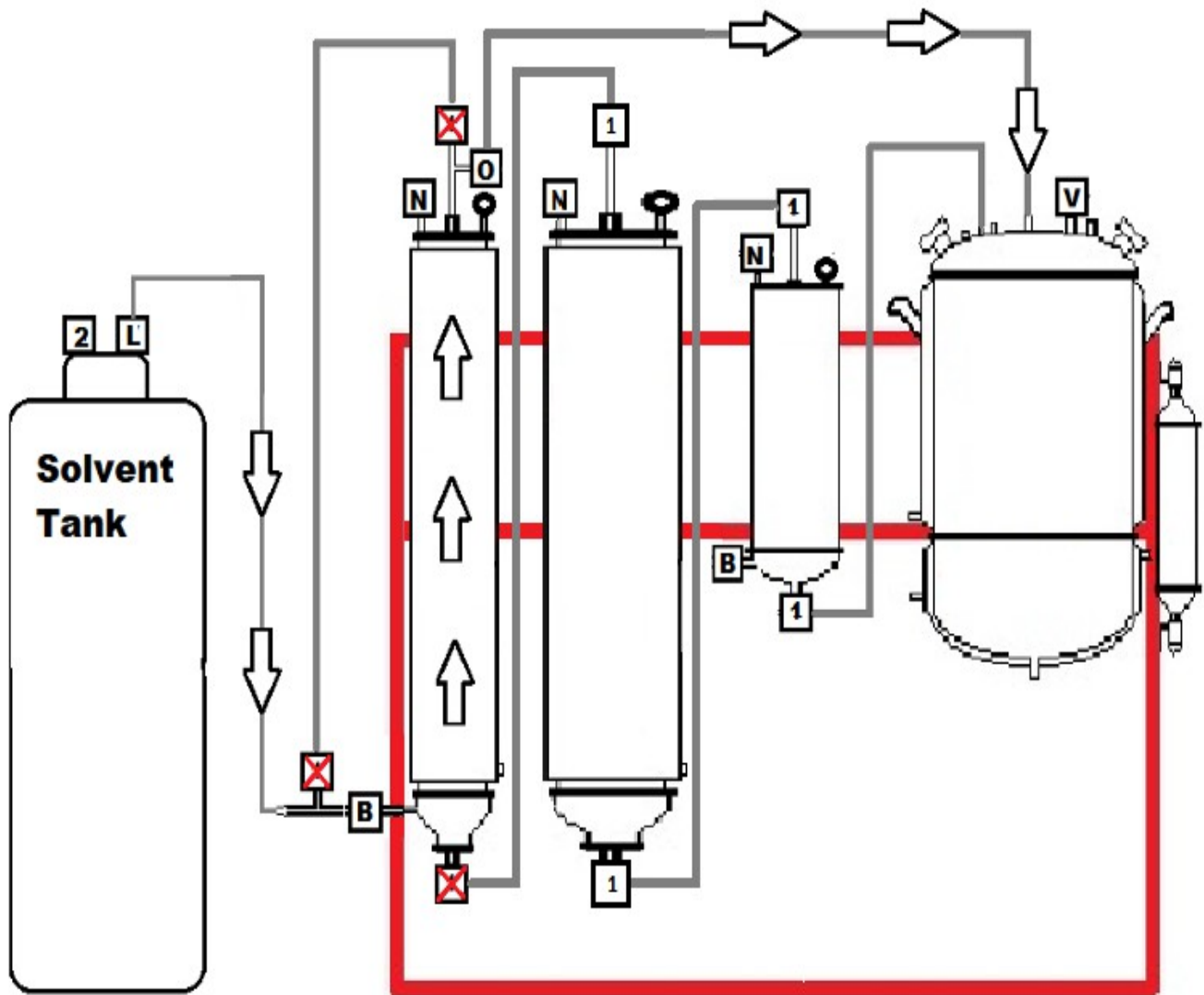
***Solvent Capacity for this units 12"x 12" Collection base = 25LBs at 80% fill**

Begging Solvent Flow

Connect your LP solvent tank to the solvent input port on the side port of the extractor (refer to assembly diagram) using the 48" x 1/4" short SS line. When introducing solvent it is important to hook up to the RED liquid port on your solvent tank. This port contains a dip tube that allows liquid solvent to be brought up rather than the gaseous contents. Keep the cylinder upright during this process.

Bottom Flood Input

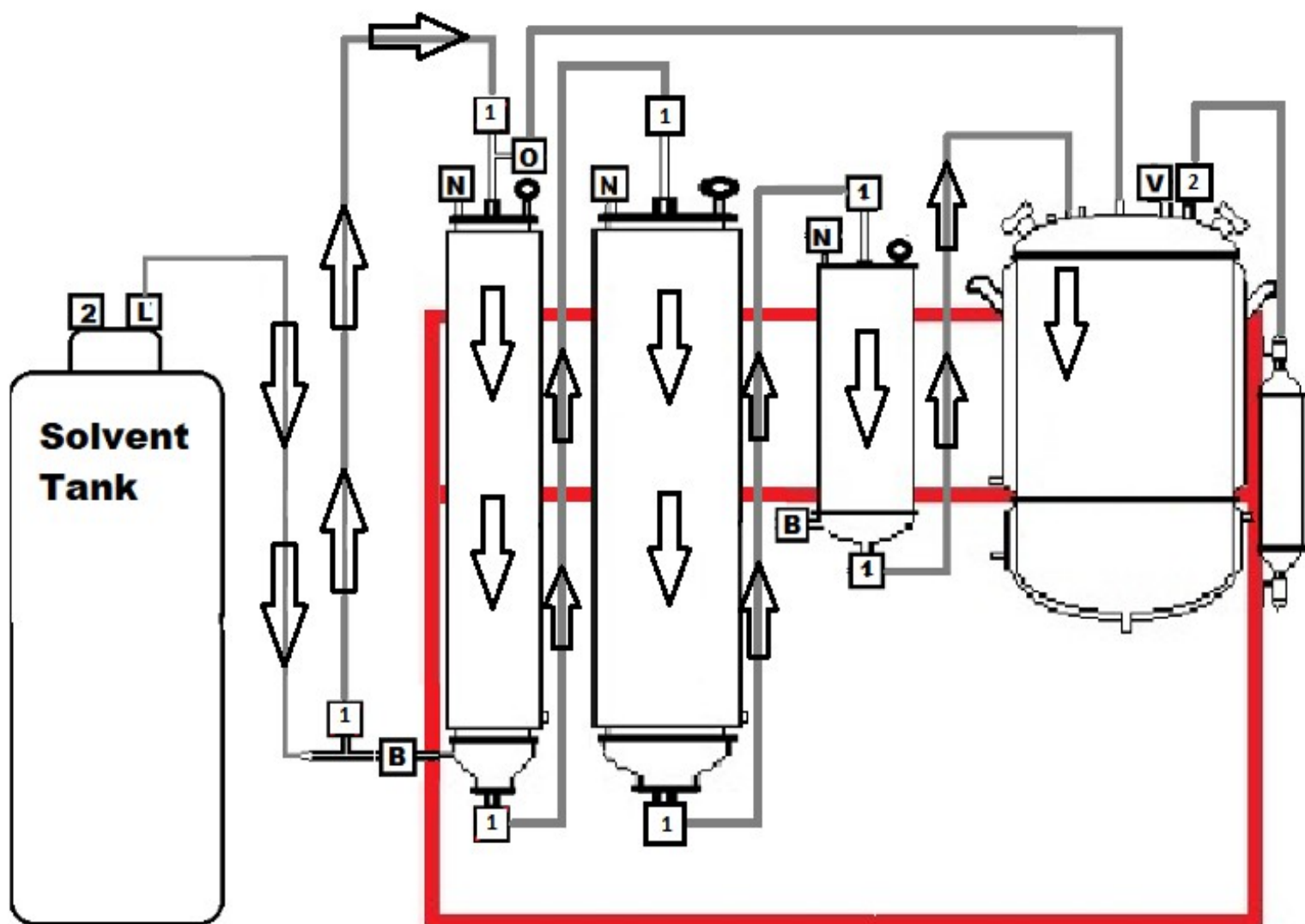
The first flow of solvent should be done from the bottom flood port. (Both handles on the manifold should be in the horizontal position.) The bottom flood process ensures all material has seen solvent, giving you the most extract out of your material. The bottom flood overflow valves should be in the on/open position. As solvent is filling the column, Place a hand of the 3/8" Hose. One the column has been filled solvent will begin to flow into the overflow line and the line will begin to vibrate as liquid flows from the hose into the collection base. This signifies that the material column has been completely filled with solvent. Once filled you can close the overflow valve and allow the material to momentarily saturate.



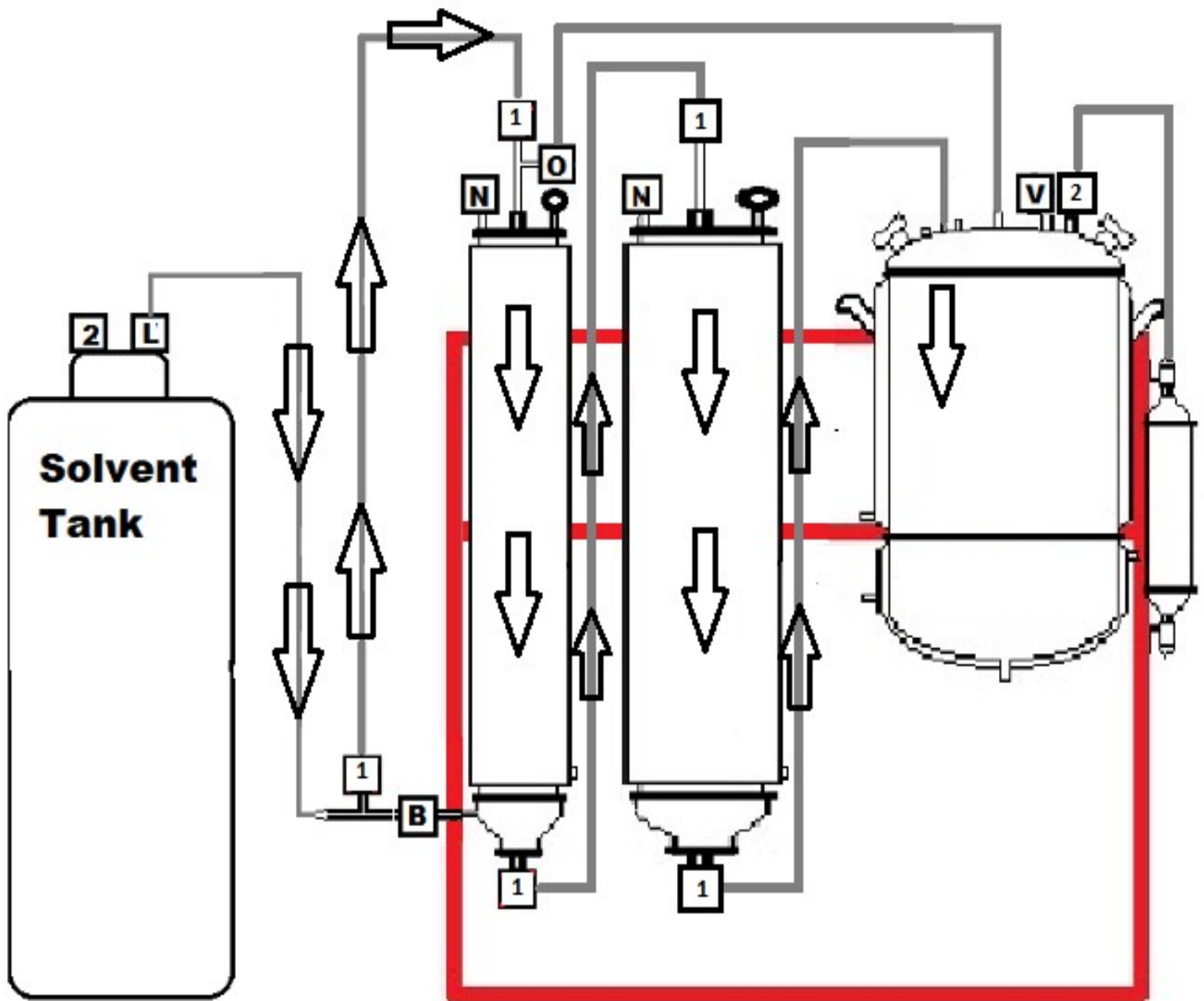
Bottom Flood Input fig.3

Top Fill Input

Once the bottom flood overflow has been closed you can begin top fill input.(both side port manifold valves in the vertical position). Next open the inline ball valve below the material column and allow the contents to flow into the collection base. Leave the ball valve open until solvent flow ends. To aid the movement of solvent into the collection base it is important submerge the base in a dry ice/glycol bath. This minimizes pressure and helps prevent vapor locks within the system.



**The 5LB Extractor can be operated without the CRC/
Color Remediation Chamber. See the diagram below
explaining solvent flow without the CRC.**



Recovery Process

- **Although Passive recovery is not applicable to the 5LB Extractor, The information in this section is helpful when operating the system.**

The recovery process involves the distillation of solvent in the collection base. Through distillation the impurities in the solvent will be left behind (in this case the Extract) while the gas moves to your LP solvent tank.

In order to efficiently recover solvent and preserve the full spectrum of the extract, A few simple rules must be followed.

First note the boiling point of your solvent, The LP tank must be chilled below this temperature to allow the solvent to condense. Keep the LP tank as cold as possible during the recovery process to allow the solvent to liquefy. The colder the receiving vessel is the faster the recovery process will be

Second, consider the compounds being extracted, It is important that the distillation temperature does not exceed the boiling point of your most fragile compound. In order to receive the full spectrum of your extract it is important that none of the extracted compounds are evaporated during the recovery process.

Passive Recovery

Passive recovery relies 100% on manipulating thermals to influence pressure within the collection base and LP tank. Since pressures are directly related to temperatures, we can raise and lower pressures with the use of heat and cold temperature baths. As temperatures rise, so do pressures.

As covered in the influencing thermals section, recovery is the distillation of the solvent that is used. You may refer to this section for recommended temperatures for recovery.

Before you begin recovery, please make sure all valves have been closed, except for your recovery valve. You will then transfer your extractor into a warm water bath at approximately 105F. You will want to make sure the water is able to come into contact with the underside of the collection base. The increase in temperature will cause the pressure within the extractor to rise. This changes the phase of the solvent. The solvent will then release any oils extracted and convert into its vapor form. As pressure rises the solvent vapor will transfer back into the LP.

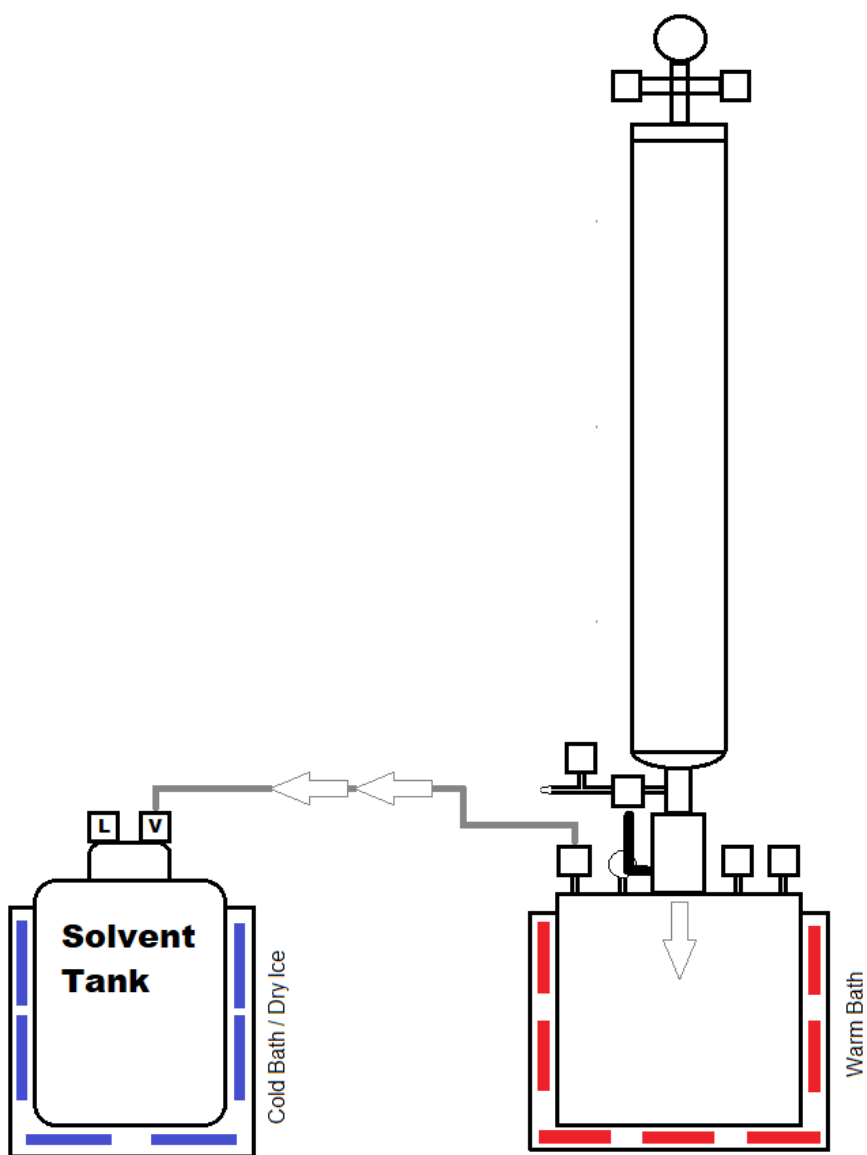
You will then submerge your LP into a dry ice slurry*. Once the the decrease in temperatures are low enough it will cause the pressure within the LP to decrease create a vacuum effect, and it will cause the solvent vapors to convert back into a liquid state. The colder the temperatures reach, the faster and more efficient the recovery will be.

***Dry ice may be substituted with water and ice, however negative pressures within the LP cannot be achieved using this method.**

Passive Recovery

fig.5

Passive recovery is not applicable to the 5LB.



Efficient Recovery Methods

In order to perform an efficient recovery process temperatures in the collection base and LP tank must be consistent. It is important that the majority of each vessel is mostly but not completely submerged in its warm/cold bath. Be sure to expose the bottom of the vessel to its warm/cold bath in order to maintain a consistent temperature without completely submerging the vessel .

To maintain warm temperatures the use of a submersion heater is recommended. Some submersible heaters can heat the water with a submersible heating coil while circulating the water throughout the bath, this allows for the most consistent temperatures while recovering. The collection bases temperature will cool due to the evaporation of solvent and the warm bath will quickly lose temperature without a heating element. It is important to maintain temperatures in order to perform an effective and efficient recovery.

If not using a heating element the temperature of the bath must be closely monitored. To ensure that no compounds in the extract are evaporated it is NOT recommended to start with a higher temperature bath to compensate for temperature loss due to solvent evaporation within the collection base. Warm water will have to be replaced multiple times during the recovery process.

For cold baths, a dry ice/ glycol slurry is optimal for maintaining subzero temperatures. This keeps the LP tank temperature lower than the solvents boiling point, ensuring no positive pressure will be present. When temperatures dip into the negative the LP tank pulls a vacuum on itself and will aid in the recovery process.

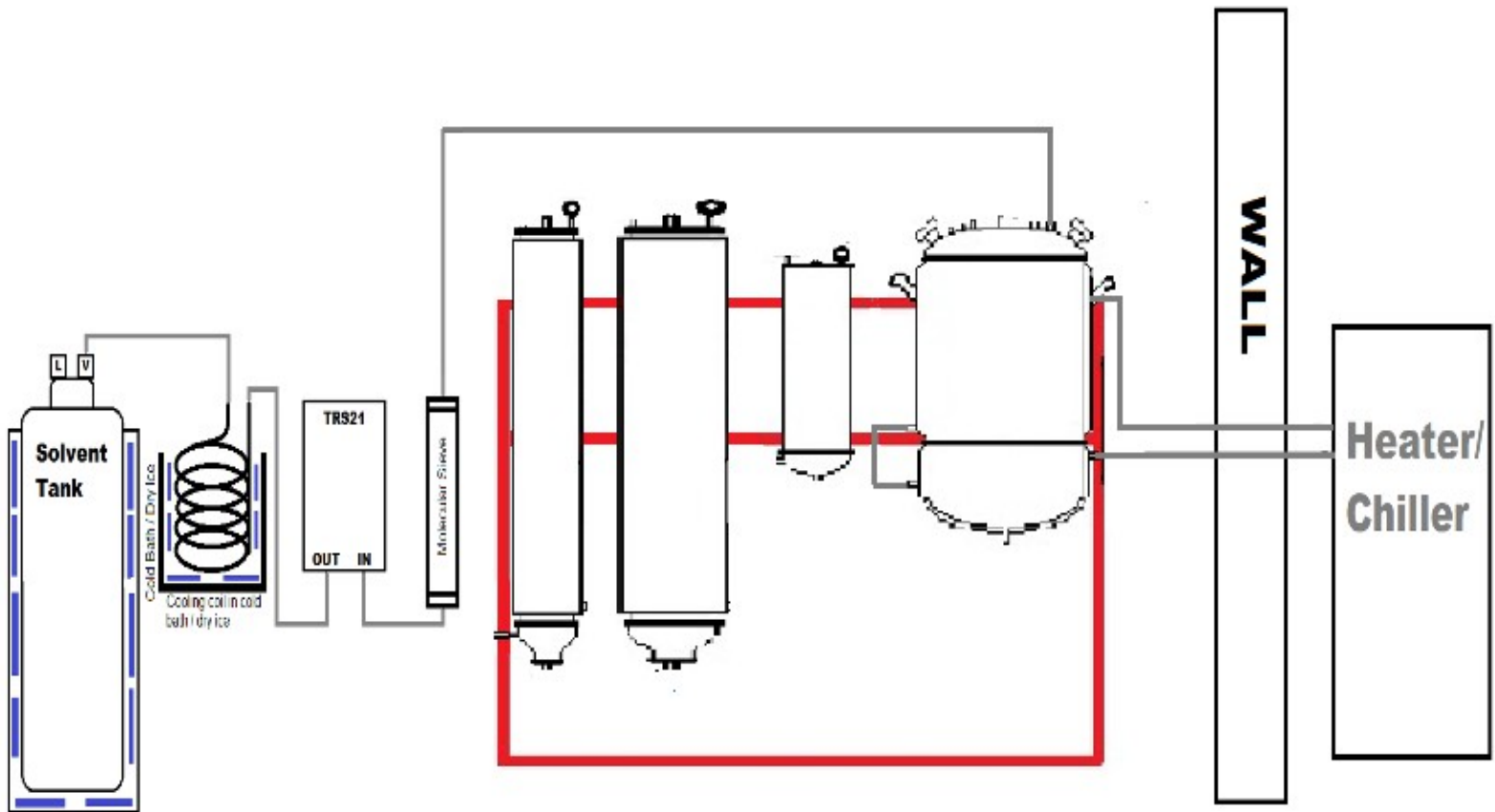
Note that incoming vapor from the heated collection base will bring warmer temperatures to the receiving LP tank, Thus you must also maintain cold temperatures as well as warm. Be sure the LP tank is submerged in the cold bath up to the valves. Replace dry ice as it evaporated during recovery.

Ice can be used instead of dry ice, However it will significantly increase the recovery time. Without reaching subzero temperatures the LP tank will not be able to pull a vacuum on itself. This causes a pressure increase in the LP tank, Slowing recovery.

Active Recovery

fig.6

The Bi-directional Extractor with an active recovery set up is as pictured above. Additional equipment consists of a molecular sieve (for removing moisture from solvent), recovery pump (to aid recovery process) and a cooling condensing coil (to condense solvent, aiding recovery). Further details on additional equipment can be found on the following page.



Additional Equipment for Active Recovery

Molecular sieve

The molecular sieve is used to remove moisture from the solvent as it is recovered. This component consists of a 3" x 18" spool filled with desiccant beads and is hooked up in line with the recovery pump. Removing moisture prolongs the life of your pump and leaves you with a higher quality solvent to work with. It is important to check the moisture content of the beads

and to regularly refresh the beads by drying them out. The moisture in the beads can be removed by baking them in the oven at 300F until the beads turn blue or to their original color.

Recovery pump

The TRS-21 refrigerant recovery pump is widely used for the extraction process and aids passive recovery by regulating pressures, speeding up the recovery process.

Cooling condensing coil

The cooling condensing coil aids the recovery process by condensing vapors into liquid, reducing pressure to the LP tank. Cooling condensing coils are submerged in a cold bath to chill the solvent passing through the coil.

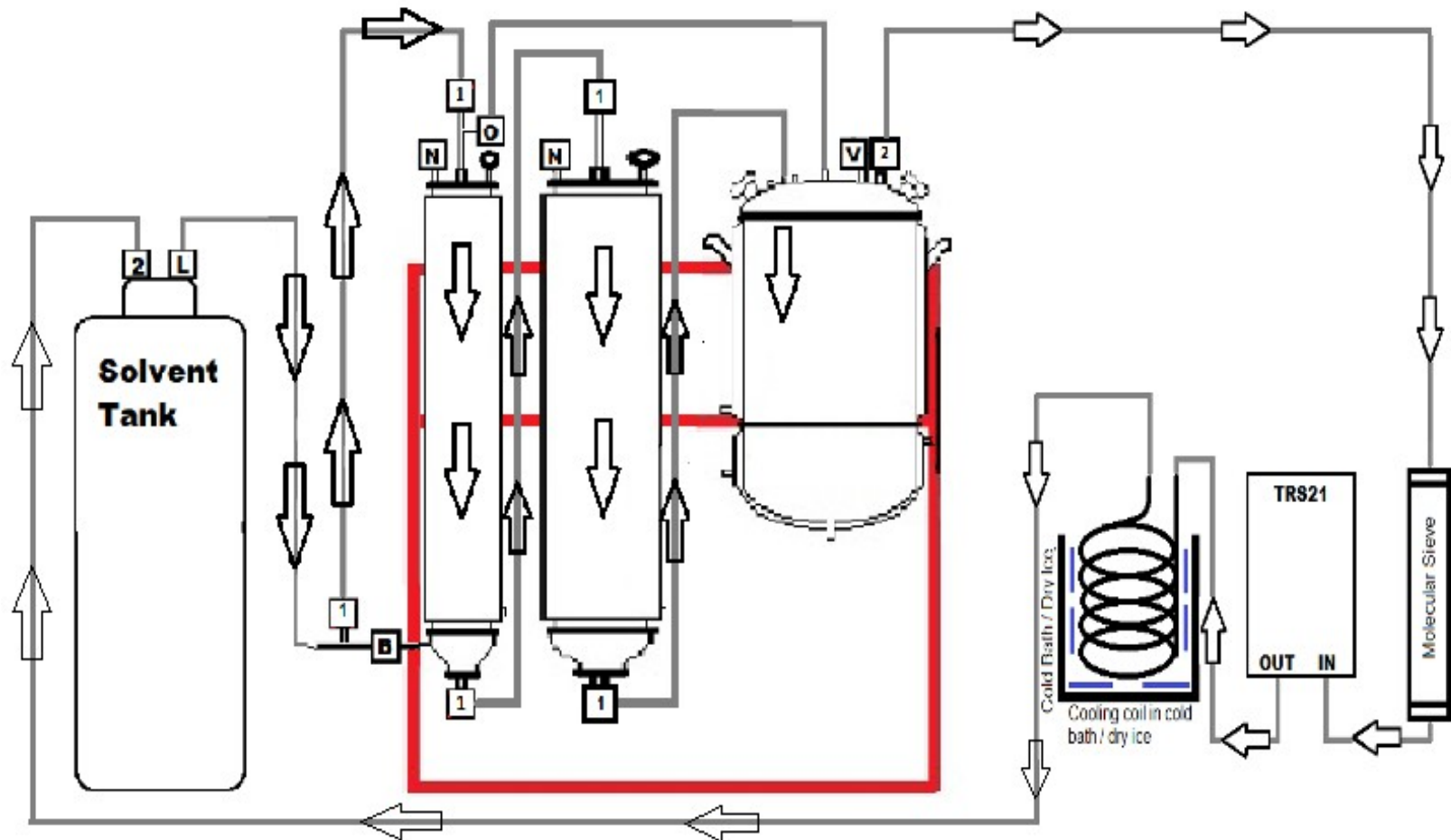
Active Recovery

Once you are ready to begin the recovery process start by closing all valves except for the recovery valve and the valve on your LP tank. The collection base will need to be heated to start evaporation of solvent. Turn on your recovery pump to begin the recovery process. Keep in mind the same rules from the passive technique apply to active as well. IF the coil and LP tank temperatures are substantially lower than the boiling point of the solvent the LP tank will be able to pull a vacuum on itself, Aiding the recovery process. If these critical temperatures are not reached the recovery pump will be working against the pressures greatly increasing recovery time.

You can monitor the recovery process by using the sight glasses to check the level of solvent or by monitoring the weight of your LP tank, (Before beginning recovery tare the tank on your refrigerant scale and monitor the weight of the incoming solvent. The target temperature to preserve the full spectrum of your extracts is 100F. It is recommended to recover into negative pressures. This allows all of the solvent vapors to be recovered ensuring they are not exposed to your working atmosphere when opening the collection base.

*** Always perform regular tests and maintenance on your trs-21 pump. We recommend setting a schedule for routine cleaning and maintenance to ensure your pump functions properly.

Recirculating Solvent



Recirculating solvent is optional for operators who need to use more solvent than the collection base can hold. Typically when using the 5LB model this step can be skipped.

Partial recovery must occur before solvent can be recirculated, $\frac{1}{3}$ to $\frac{1}{2}$ of the solvent should be recovered before recirculating the solvent. Once the material has been fully stripped of extracts, recover using the active or passive method.

Post Operation Procedure

It is recommended to recover into negative pressures, ensuring that all solvent has been recovered. Failing to recover all of the solvent before opening the collection base will result in solvent exposure to your working atmosphere. When all of your solvent has been recovered you can begin to equalize the extractors pressure to atmospheric pressure. Depressurize the system by closing the valves on the LP and opening the recovery valve allowing the vacuum within the extractor to pull in air from your working atmosphere. Note that if your extractor has positive pressure solvent will be exposed to your working atmosphere. Completely dry your collection base before disassembling.

Removing Extracts

After removing the collection base or collection platter from the extractor you can begin to carefully remove extracts. Using a metal or PTFE scraper being to work from the outside to the center pooling the extracts into the middle for easy removal.

Maintenance

It is important to break down the unit and clean the parts and gaskets individually. Be sure to use a compatible solvent to clean gaskets. Some solvents may degrade the gaskets. Isopropyl alcohol can be used but be sure to wipe gaskets dry to avoid them breaking down. Failure to properly clean the unit before or after each use can result in contaminated extracts.

Service and Technical Support

Email: 710extractors@gmail.com

Phone: (909) 954-0212

Warranty Information

Returns

There is a **30-day return policy** from when the carrier has confirmed delivery to residence to when a return request has been submitted.

Return policies do not transfer to patrons who are not the purchasing customer unless the items were noted as a gift at checkout. The same applies to warranty cases.

Items must be returned in original packaging.

Items must be returned unused, in undamaged condition, and free of any signs of usage: such as botanical material, resins, cleaning agents, stickers, decals, etc.

Items showing signs of damage, usage, opened packaging, or wear and tear will result in a **25% restocking fee. NO EXCEPTIONS.**

There is an **automatic 15% restocking fee** on all items unused and in original packaging unless the items are exchanged for something of equal or lesser value. **NO STORE CREDIT WILL BE GIVEN.**

It is recommended to insure your item against any shipping damage by the carrier. When the delivery date of your return has been confirmed by the carrier, it may take up to 24-72 hours to process the order, inspect the item, and test the item (depending on reason for the return). Once the item has been processed, a refund will be issued for the original purchase price of the item. **(Note: a 15% or 25% charge may be applied if the item has been determined as used or damaged).**

Shipping charges will not be refunded, unless items prove to be defective upon arrival, in which case carrier is responsible for initial shipping

charge.

(Note: it may take several additional business days for your Credit Card to show the refund on your account. All payments made using E-

checks may take 3-15 business days to be refunded.)

Exchanges:

There is a **30-day exchange period** from when the carrier has confirmed delivery to residence to when a exchange request has been submitted.

Items must be unused and in brand new condition. You may only exchange for an item of equal or lesser value. **NO STORE CREDIT WILL**

BE GIVEN.

The customer is responsible for all exchange shipping charges, unless the exchange results in a defective or damaged item, in which case the customer is responsible for initial shipping charge.

All exchanges/ returns will be tested once shipped back to our facility to verify any recorded defects. If defective item is found fully functional, the

customer will be responsible for exchange and replacement shipping charges.

It is recommended that you take photos before sending out any exchanges even if they are brand new. This is for your protection so that you are not held liable for any damage that may occur when shipping an item back. When sending photos, please include the name of the representative with whom you spoke with.

Damaged Shipments:

If an item or packaging is damaged upon arrival, please take photos of damage and email us with in 24hrs for a claim will be filed and replacement to be shipped. When sending photos, please include the name of the representative with whom you spoke with.< Without photos, replacements/refunds will **NOT** be issued.

If no claim is filed with in 24hrs, NO ACTION WILL BE TAKEN.

Missing Parts:

There is a **72- hour grace period** from when the carrier has confirmed the delivery to residence to report any missing items. Please inspect shipments thoroughly. After initial claim, any further claims will not be honored.

If you do not report missing items within 72hrs, NO ACTION WILL BE TAKEN. NO EXCEPTIONS.

Additional Disclaimers:

All replacement, defective, and exchange shipments will be shipped under the carrier of our choice.

Expedited shipping will be provided upon request at customer's expense (customer will pay the difference between ground shipping and whichever expedited shipping option is requested).

Note: Damaged/Missing Parts replacement shipments will be shipped with the original shipping option that was paid for initially.